

LK 823 ThermoVar®

- Increases the efficiency of the system
- Prevents condensation and taring
- Ensures an optimal temperature stratification in the storage tank



Technical Data

Opening temperature:	45 °C, 50 °C, 55 °C, 60 °C, 65 °C or 70 °C
Working temperature:	(45 - 55 °C) Min. 5 °C/Max. 95 °C (60 - 70 °C) Min. 5 °C/Max. 110 °C
Ambient temperature:	Min. 5 °C/Max. 60 °C
Max. working pressure:	1.0 MPa (10 bar)
Max. differential pressure:	100 kPa (1 bar)
Leakage:	< 0.5% of Kvs at 100 kPa
Media 1:	Water - Glycol mixture max. 50%
Thread standard:	Rp - female thread, G - male thread
Material, valve body:	Brass EN 1982 CB753S
Material, internal cover:	Brass EN 12165 CW617N
Material, sealing:	EPDM

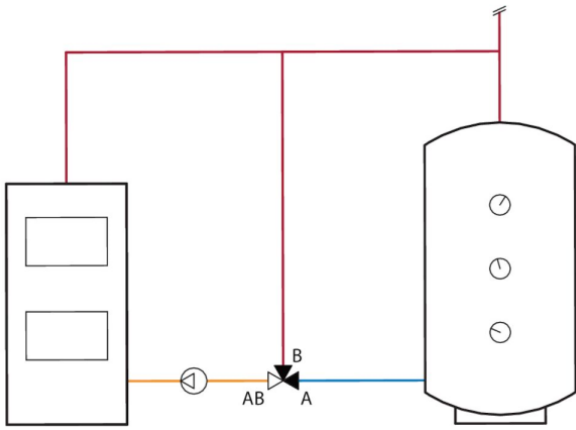
LK 823 ThermoVar® is a 3-way thermic loading valve for solid fuel/storage tank installations. The valve is intended to ensure both an optimal temperature stratification in the storage tank and a high return temperature to the boiler, thus increasing the efficiency of the system. Tarring and condensation are prevented which prolongs boiler life.

The valve regulates on two ports, which means that there is no need for a balancing valve in the circuit between boiler and loading valve. The thermostatic element starts to open port A when the outgoing mixed water temperature in port AB reaches the opening temperature. Port B is closed when the temperature in port A exceeds the nominal opening temperature by 10 °C.

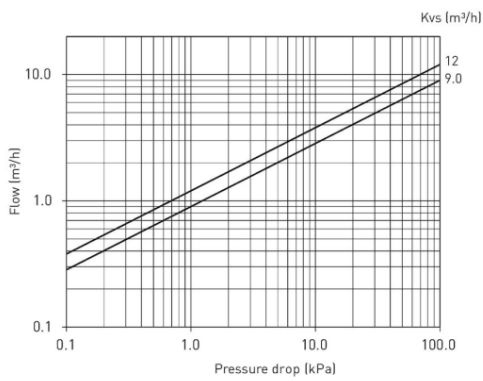
LK 823 can be equipped with an insulation - see under Accessories. For more information, please see the product sheet for insulations.

The valve can be mounted at any angle. LK 823 ThermoVar® is for right- or left-hand mounting.

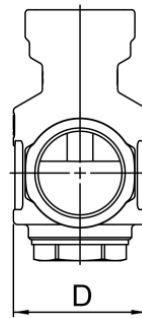
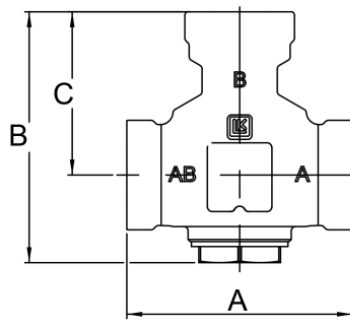
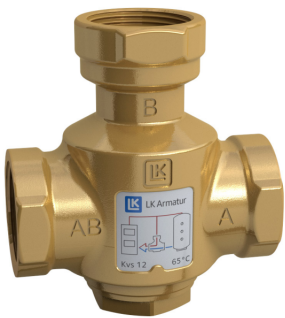




Capacity Diagram



LK 823 - Female thread



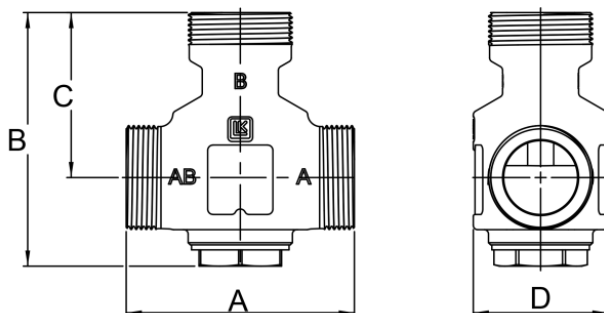
Article	Opening temp. °C	Dim.	Kvs m³/h	A mm	B mm	C mm	D mm	Weight (kg)
181284	45	F 1"	9,0	92	114	72.5	Ø 55	1.0
181288	45	F 1¼"	12,0	105	117	76	Ø 62	1.2
181285	50	F 1"	9,0	92	114	72.5	Ø 55	1.0
181286	55	F 1"	9,0	92	114	72.5	Ø 55	1.0
181290	55	F 1¼"	12,0	105	117	76	Ø 62	1.2
181287	60	F 1"	9,0	92	114	72.5	Ø 55	1.0



Article	Opening temp. °C	Dim.	Kvs m³/h	A mm	B mm	C mm	D mm	Weight (kg)
181291	60	F 1¼"	12,0	105	117	76	Ø 62	1.2

Other temperatures and dimensions on request.

LK 823 - Male thread



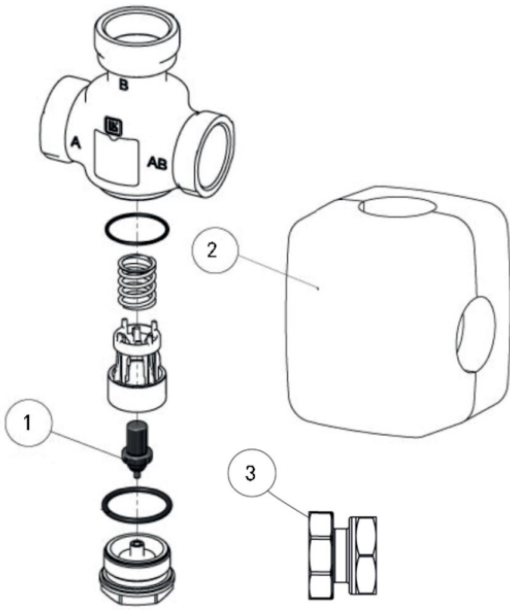
Article	Opening temp. °C	Dim.	Kvs m³/h	A mm	B mm	C mm	D mm	Weight (kg)
182163	45	M 1"	9,0	84	103.5	62	Ø 55	1.0
181300	45	M 1½"	12,0	105	117	76	Ø 62	1.2
182130	45	M 1¼"	9,0	92	110.5	69	Ø 62	1.2
182164	50	M 1"	9,0	84	103.5	62	Ø 55	1.0
182131	50	M 1¼"	9,0	92	110.5	69	Ø 62	1.2
181302	55	M 1½"	12,0	105	117	76	Ø 62	1.2
182132	55	M 1¼"	9,0	92	110.5	69	Ø 62	1.2
181303	60	M 1½"	12,0	105	117	76	Ø 62	1.2
181538	65	M 1½"	12,0	105	117	76	Ø 62	1.2

Other temperatures and dimensions on request.

Accessories & Spare parts

Article no.	Article	Position
187102	Thermostatic element 823, 45 °C	1
187103	Thermostatic element 823, 50 °C	1
187104	Thermostatic element 823, 55 °C	1
187105	Thermostatic element 823, 60 °C	1
187138	Thermostatic element 823, 65 °C	1
187139	Thermostatic element 823, 70 °C	1
187109	Insulation, DN 25-32	2
095351	LK 823 Pump connection 1¼"	3
095352	LK 823 Pump connection 1"	3





Article no.	Article	Position
187102	Thermostatic element 823, 45 °C	1
187103	Thermostatic element 823, 50 °C	1
187104	Thermostatic element 823, 55 °C	1
187105	Thermostatic element 823, 60 °C	1
187138	Thermostatic element 823, 65 °C	1
187139	Thermostatic element 823, 70 °C	1
187109	Insulation, DN 25-32	2
095351	LK 823 Pump connection 1¼"	3
095352	LK 823 Pump connection 1"	3